



GROHE
MY KITCHEN



QUALITY

From the first design sketch to the final product to after-sales services: Our customers can rely on our Made in Germany sense of perfectionism.

“No.1 most trusted brand in the sanitary industry” –
Wirtschaftswoche, 2017

TECHNOLOGY

We constantly drive innovation to enrich your everyday water experience, delivering smart solutions on the path of the digitization of water.

“Top 50 companies to change the world” –
Fortune Magazine, 2017



DESIGN

Our highly awarded design DNA's recipe for success is simple: Merging the contemporary and the timeless into products that feel like they were designed just for you.

Over 400 design awards won since 2003



SUSTAINABILITY

Water is our passion. We care about every drop and our CSR commitment goes even beyond one element alone: We strive to protect all of our planet's resources for future generations.

CSR Award winner of the German Government, 2017

GROHE COMPOSITE

Durable and resilient, GROHE composite sinks use quartz, the hardest part of granite, to create a seamless sink that is resistant to scratches, dents, heat and stains, for a beautiful kitchen centerpiece tough enough for any job.



GROHE PVD

Made-to-last surfaces ranging from precious matt to shiny like a diamond. The special recipe to success lies in our long-lasting surface quality. GROHE uses state-of-the-art technology to deliver exceptional quality finishes. The physical vapour deposition (PVD) process ensures that the surface composition is three-times harder, delivering glistening gold or sophisticated stainless steel finishes. As well as being harder, the surface is also ten times more scratch resistant, so it can be cherished for a lifetime.



GROHE KITCHEN KITCHEN SINKS



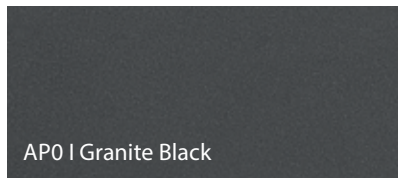


GROHE COMPOSITE SINKS

INNOVATIVE FEATURES, FINISHES AND MOUNTING TYPES

Customize your kitchen space by choosing the ideal GROHE sink for you. Our K-series range of composite sinks covers every size, configuration and price point, so you're sure to find your perfect fit. The range includes round and square models in two different colors – Granite Black and Granite Grey. Select from 1, 1.5 or 2 bowl models, with or without an integrated drainer, with dimensions suited to kitchens from the spacious to the compact. Plus choose between a neat top-mounted model or a sleek, minimalist under-mounted version which sits under the worktop.

FINISHES



QUARTZ COMPOSITE

Your sink can cope with the daily demands of even the busiest kitchen thanks to our innovative composite material. Using 76 % quartz – the hardest part of granite – mixed with acrylic resin, GROHE composite sinks are the toughest around. This hardened composite material is resistant to scratches, dents, stains, cracks and heat up to 280 °C. The smooth surface is easy to clean and 100 % food safe for total peace of mind.

Each GROHE composite sink is produced using a computerized polymerization casting process which guarantees a seamless finish and total uniformity of color throughout. What's more, the composite won't fade in UV light, meaning it's certain to stay looking as good as the day you bought it.

MOUNTING TYPES



Topmount

A traditional built-in look with a vertical 8 mm edge. Installation is with clips (except for models 31 653, 31 654, 31 655 and 31 648 – silicone only).



Undermount

Installed under the worktop for a sleek, contemporary look.



Waste fitting for easy handling

Thanks to the automatic waste your hands will stay clean and dry. For even more convenience, upgrade your sink with the stylish push-excenter (see page 202).

INNOVATIVE FEATURES



GROHE QuickFix



GROHE Whisper



Scratch resistant



Heat resistant up to 280 °C



Stain resistant



100 % food safe



Non fading in UV-light



Easy to clean



Spacious bowls



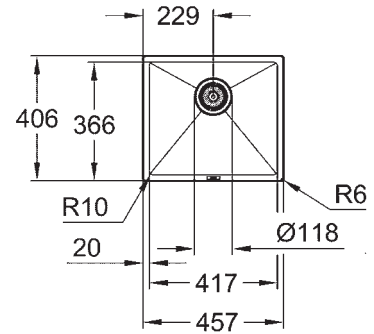
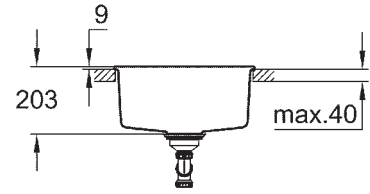
GROHE COMPOSITE K700 UNDERMOUNT SERIES

Create a sleek, minimalist look for your kitchen with the K700 undermount series. Mounted below the worktop for a clean, seamless look, this style is an ideal fit for modern, architectural kitchens. These single bowl sinks come with clips to make mounting easy and an optional automatic waste fitting with push-to-open technology. All sinks in the K700 undermount series can also be installed top-mounted for a more traditional look.



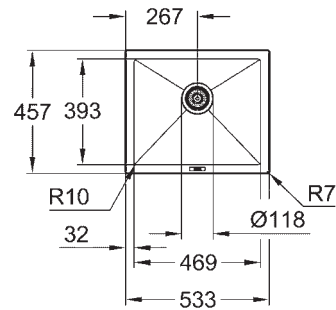
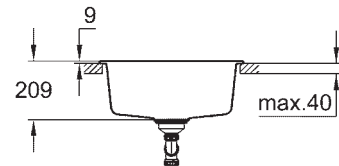
31 653 AP0
K700 Undermount
Composite kitchen sink
with 1 bowl

HKD 3,700



31 654 AP0
K700 Undermount
Composite kitchen sink
with 1 bowl

HKD 4,300



Color options:

● AT0 | Granite Grey

● AP0 | Granite Black



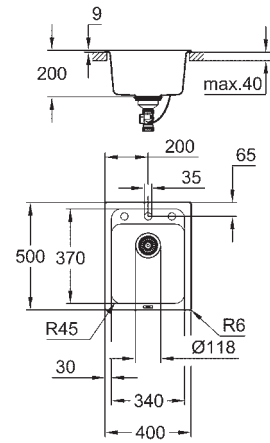
GROHE COMPOSITE K700 SERIES

The K700 series of composite sinks offers you premium features and performance, with a deep bowl and generous proportions making them large enough for any kitchen task. Available in 1 and 2 bowl options, models are designed to be top-mounted, with some also suitable for more minimalist under-mounting. K700 series sinks are available with automatic waste fitting and optional push-to open technology.



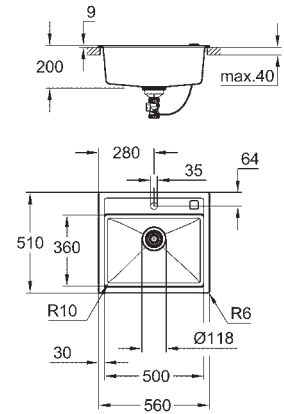
31 650 AP0
K700
Composite kitchen sink
with 1 bowl

HKD 3,750



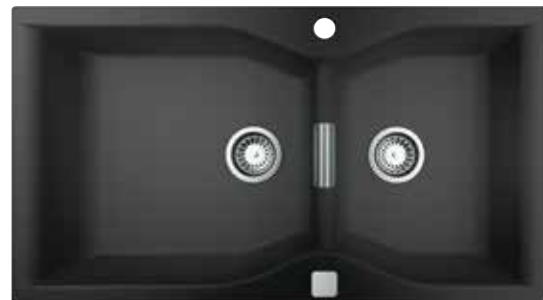
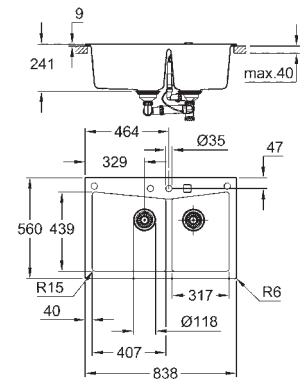
31 651 AP0
K700
Composite kitchen sink
with 1 bowl

HKD 4,100



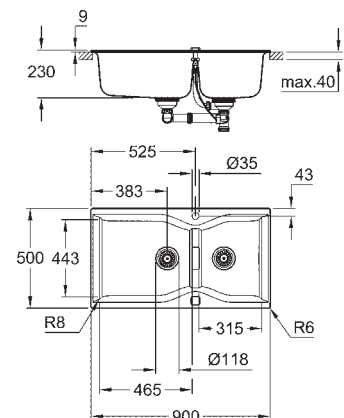
31 657 AP0*
K700
Composite kitchen sink
with 2 bowls

HKD 4,850



31 658 AP0
K700
Composite kitchen sink
with 2 bowls, reversible

HKD 5,200



Color options:

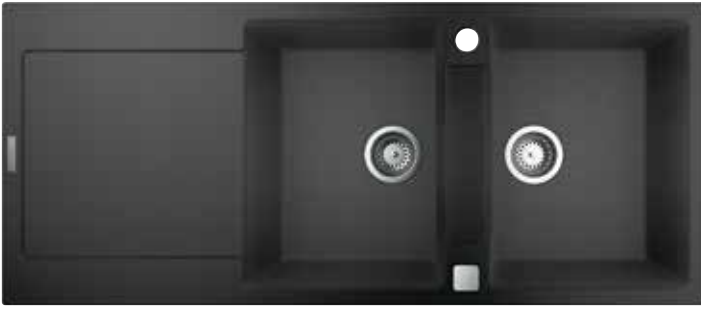
● AT0 | Granite Grey

● AP0 | Granite Black



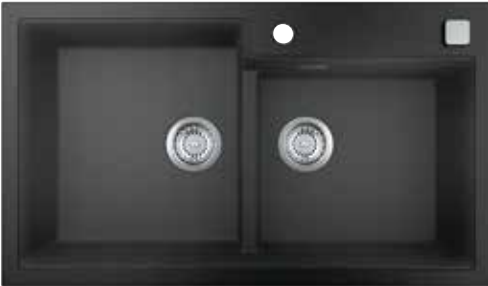
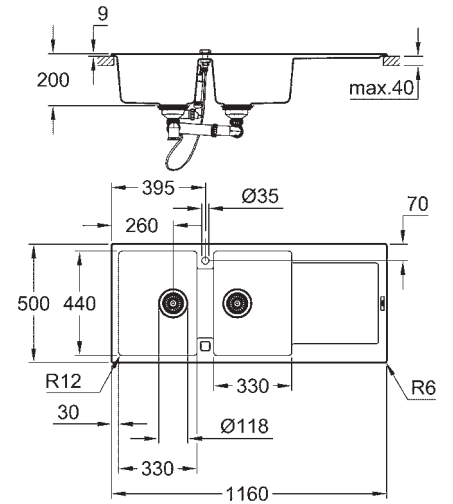
GROHE COMPOSITE K500 SERIES

Combine durability with spacious proportions and streamlined looks with the K500 series of composite sinks. This flexible collection features 1, 1.5 and 2 bowl options, with integrated drainers available on some models. For an architectural look select an under-mounted design or fit the more conventional top-mounted models. K500 series sinks are available with automatic waste fitting and optional push-to open technology.



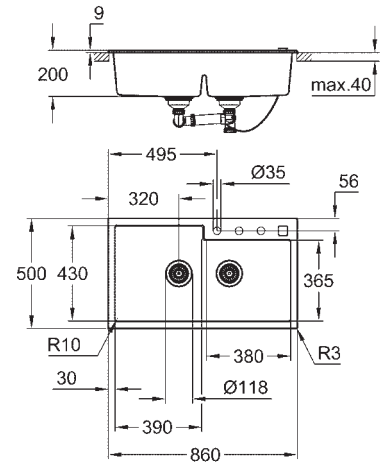
31 647 AP0
K500
Composite kitchen sink
with 1.5 bowls
and reversible drainer

HKD 5,500



31 649 AP0
K500
Composite kitchen sink
with 1 bowl

HKD 5,300



Color options:
● AT0 | Granite Grey

● AP0 | Granite Black



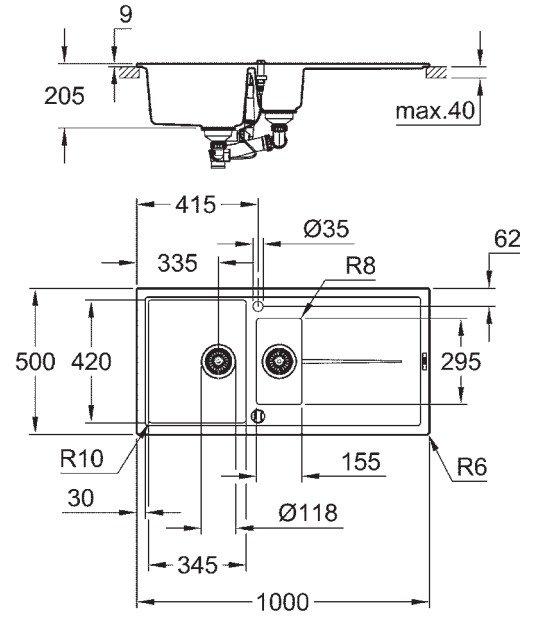
GROHE COMPOSITE K400 SERIES

Combine sturdy practicality, visual flair and great design flexibility with a K400 series composite sink. Designed to be fully-reversible, these top-mounted sinks come in 1 and 1.5 bowl models, all with automatic waste fitting and optional push-to open technology.



31 642 AP0
K400
Composite kitchen sink
with 1.5 bowls
and reversible drainer

HKD 5,800



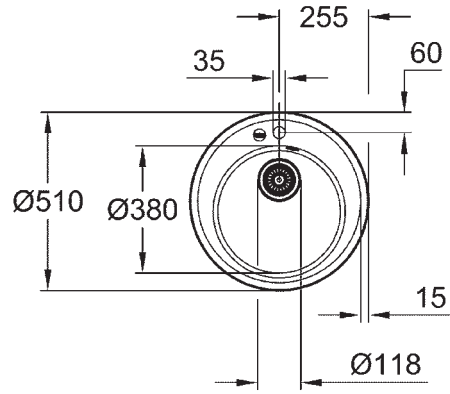
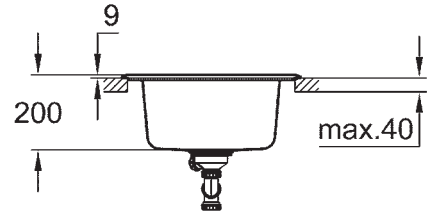
Color options:
● AT0 | Granite Grey

● AP0 | Granite Black



GROHE COMPOSITE K200 SERIES

With the K200 series we've thought of everything. This great all-rounder is an ideal sink for your basic kitchen needs, and is also ideal for compact spaces or islands. The round K200 composite sink is as practical and durable as all of our sinks. Designed to be top-mounted, this single bowl sink comes with optional push-to open technology.



31 656 AP0
K200
Composite kitchen sink
with 1 bowl

HKD 3,300

Color options:

● AT0 | Granite Grey

● AP0 | Granite Black

DESIGN YOUR KITCHEN WITH COLOR AT ITS HEART

Bring your kitchen to life with the new GROHE Colors. Inspired by world-wide color trends, GROHE now offers ten color finishes on a selection of kitchen faucets and sinks, helping you design a space that is tailored to your individual tastes and needs. From warmer, organic shades like Warm Sunset to more urban, architectural finishes like Brushed Graphite, GROHE has the finish that is right for your scheme. Choose a color with total confidence that your faucet and sink will work together harmoniously in a Perfect Match. With GROHE Colors you have the freedom of choice to create a kitchen that has as much color as the rest of your life.

DISCOVER THE COLORS
IN THE FOLLOWING LINES:

GROHE BLUE HOME & GROHE RED, K7, ZEDRA,
ESSENCE, MINTA, ATRIO, K700 UNDERMOUNT
AND ACCESSORIES



30 269 DLO
Sink mixer high spout

GROHE COLORS



31 574 DL0
K700 Undermount
Brushed Warm Sunset
kitchen sink with 1 bowl



GROHE COLLECTIONS

At GROHE we understand that your kitchen is a reflection of you. It's more than just a space to cook and clean – it's where you express yourself, enjoy yourself and even stretch yourself. That's why we have created a range of products that allow your inner home chef to shine, with professional-grade functionality that won't let you down, tailored features to help you perform better and intelligent design that reflects your personal taste. With GROHE Premium Lifestyle Collections your kitchen can be as individual as you are.



30 294 000
Professional sink mixer
with dual spray

HKD 7,478 - 000
HKD 11,208 - AL0



31 615 000
Essence SmartControl
with pull-out mousseur

HKD 7,278 - 000
HKD 10,918 - AL0



30 270 000
Sink mixer high spout
with pull-out dual spray

HKD 5,298 - 000
HKD 7,948 - AL0



30 269 000
Sink mixer high spout

HKD 4,028 - 000
HKD 6,038 - AL0

Color options:

● 000 | StarLight Chrome

● AL0 | Brushed Hard Graphite



30 274 000
Sink mixer L-Spout
with pull-out dual spray

HKD 4,818 -000
HKD 7,228 -ALO



31 375 000
Sink mixer L-Spout

HKD 3,478 -000
HKD 5,218 -ALO



32 488 000
Sink mixer U-Spout

HKD 3,238 -000
HKD 4,848 -ALO



32 917 000
Sink mixer C-Spout

HKD 3,238 -000
HKD 4,848 -ALO

QUALITY

HIGHEST CUSTOMER TRUST
Grohe AG
1st place

WirtschaftsWoche

sanitary technology
industry comparison:
8 sanitary experts
in cooperation with:
ServiceValue GmbH
edition 4/2017

TECHNOLOGY



FORTUNE®
CHANGE THE WORLD
2017

DESIGN



reddot winner 2019
sanitary brand of the year

SUSTAINABILITY



CSR-PREIS
DER BUNDESREGIERUNG
Winner 2017

From FORTUNE September 15, 2017, FORTUNE is a registered trademark of Time Inc., used under license. FORTUNE and Time Inc. are not affiliated with, and do not endorse products or services of, GROHE.